





Tense Electronics, is a Turkish producer company operating in automation industry since 2006 with executions in various countries.

With an expertise and experienced team, Tense Electronics is bringing novelties and adding values to automation industry every new day. By help of a dynamic R&D and production teams, we update our product portfolios continuously. Brought a contemporary approach and high-quality solutions into the industry, Tense is not only offering industrial solutions but also developing products and software easing the life itself.

Having a motto like "Using the technology of tomorrow since today", Tense Electronics has been reputable with the innovative solutions and become a pioneer in automation industry since the first day of production.

Focusing on R&D activities in order to develop new technologies, Tense Electronics is invention new product categories and solutions all the time.

Gathering a strong name in the international market after export operations, Tense is extending the production line, team and plant regularly in order to provide the orders coming from new accounts.

Having the production plant in Istanbul, the connection point of European and Asian trade, Tense Electronics is exporting to more than 40 countries including U.A.E., Egypt, Russia, Ukraine, Albania, Tunisia, Libya and also have dealers and representatives in many markets.

The only company having authorization of Turkish Standards Institute on Reactive Power Control Relay products, Tense Electronics is also one of the rare companies holding CE, UKR-SEPRO and GOST-R documents on its products.

By help of our technical teams that provide superior pre-sales and after-sales services, we are aiming to provide the best product with best price in shortest time with fastest and most active customer service.

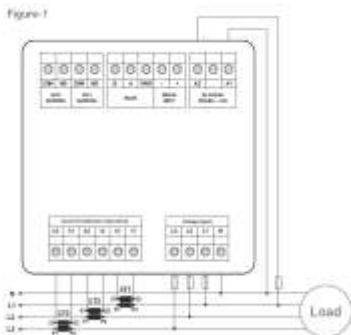


Our goals are, with better Energy quality, energy efficiency, communication with energy tracking, compensation and automation solution.

CE



TPM-01E



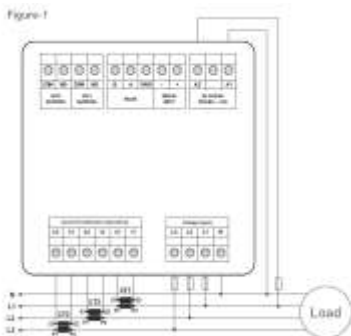
- ✓ It support 3P4W connections
- ✓ Measures up to 31st voltage harmonics (L-N and L-L)
- ✓ Measures up to 31st current harmonics
- ✓ RS485 Modbus RTU
- ✓ 2x relay outputs (adjustable), 1x digital input
- ✓ It shows the demands
- ✓ You can delete energies, demands
- ✓ The menu is password protected

Operating Voltage	85V – 240V AC
Operating Frequency	50 / 60 Hz
Operating Power	<10VA
Operating Temperature	-20°C to 55°C
Connection Type	3P4W
Display	4 x 4 Digit 14mm LED Display
Voltage Input	5V – 330V AC
Voltage Measurement Range	5V – 330kV
Voltage Transformer Ratio	1,0...999,9
Current Input	10mA – 5.5A
Current Measurement Range	10mA – 5,500A
Current Transformer Ratio	1....1000
Active Power Accuracy	±2%
Reactive Power Accuracy	±2%
Apparent Power Accuracy	±2%
Active Energy Accuracy	±1%
Reactive Energy Accuracy	±2%
Frequency Accuracy	±2%
Current, Voltage Accuracy	±0,5%
Power Factor Accuracy	±2%
Dimension	97.5mm x 97.5mm x 52mm
Weight	<300g
Protection Class	IP41 (Front panel), IP20 (Body)
Mounting Method	Front Panel Installation
Mounting Hole Size	91mm x 91mm

CE



TPM-05



- ✓ It supports 3P4W connections
- ✓ Measures the 55th voltage harmonics (L-N and L-L)
- ✓ Measure up to the 55th current harmonics
- ✓ RS485 Modbus RTU
- ✓ Event logs (high voltage, low voltage, power failure, voltage imbalance, high current, current irregularity, THDV and THDI limits)
- ✓ Real time clock
- ✓ Menu is password protected

Operating Voltage	85V – 240V AC
Operating Frequency	50 / 60 Hz
Operating Power	<10VA
Operating Temperature	-20°C to 55°C
Connection Type	3P4W
Display	71.5 x 61.5 Glass LCD
Voltage Input	5V – 330V AC
Voltage Measurement Range	1V – 600kV
Voltage Transformer Ratio	1,0...999,9
Voltage Harmonics	3 – 55
Current Input	1mA – 5.5A
Current Measurement Range	1mA – 50.000A
Current Transformer Ratio	1....5000
Current Harmonics	3 – 55
Real Time Clock	>5 year
Active Power Accuracy	±0,5%
Reactive Power Accuracy	±1%
Apparent Power Accuracy	±1%
Active Energy Accuracy	±0,5%
Reactive Energy Accuracy	±1%
Frequency Accuracy	±0,2%
Current, Voltage Accuracy	±0,2%
Power Factor Accuracy	±1%
Communication Protocol	RS485 Modbus RTU
Dimension	97.5mm x 97.5mm x 52mm
Weight	<300g
Protection Class	IP54 (Front panel), IP20 (Body)
Mounting Method	Front Panel Installation
Mounting Hole Size	91mm x 91mm

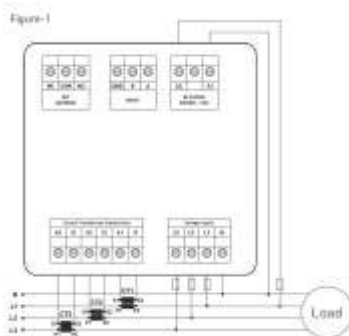


95.949 mm

CE



EM-07



- ✓ S485 Modbus RTU (1200 – 38400bps)
- ✓ 71.5 x 61.5 Custom Design Glass LCD
- ✓ High/Low voltage, current, frequency (adjustable)
- ✓ Phase-Neutral or Phase-Phase protection (adjustable)
- ✓ Protect voltage, current and frequency
- ✓ Show phase sequence
- ✓ You can delete the demands
- ✓ Menu is password -protected

Operating Voltage	85V – 240V AC
Operating Frequency	50 / 60 Hz
Operating Power	<10VA
Operating Temperature	-20°C to 55°C
Connection Type	3P4W
Display	71.5 x 61.5 Glass LCD
Voltage Input	5V – 330V AC
Voltage Measurement Range	1V – 600kV
Voltage Transformer Ratio	1,0...999,9
Current Input	50mA – 5.5A
Current Measurement Range	50mA – 10.000A
Current Transformer Ratio	1...2000
Apparent Power Accuracy	±1%
Frequency Accuracy	±0.2%
Current, Voltage Accuracy	±1%
Communication Protocol	RS485 Modbus RTU
Dimension	97.5mm x 97.5mm x 52mm
Weight	<300g
Protection Class	IP41 (Front panel), IP20 (Body)
Mounting Method	Front Panel Installation
Mounting Hole Size	91mm x 91mm



CE

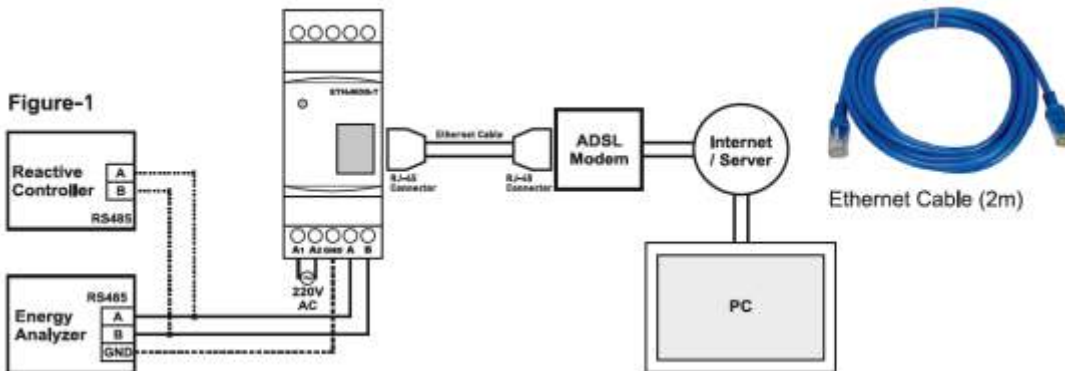


ETH-MOD-T

- ✓ RS485 Connection Interface
- ✓ TCP/IP Communication Protocol
- ✓ UDP, TCP Client and TCP Server Operation Mode
- ✓ Connection Setting via Configuration Software

Operating Voltage	85V – 300V AC
Operating Frequency	50 / 60 Hz
Operating Temperature	-20°C to 55°C
Air ESD Protection	10kV
Impact Resist	1500V
Operating Power	1VA (System Standby), 6VA (System Communicate)
Display	Power, Active and Link LEDs
Connection Features	Max. 115200bps
	Modbus Communication
	RS485 interface with max. 32 devices
	TCP/IP Communication Protocol
Connection Type	Modem with internet connection
Connection Speed	10/100 Mbps Ethernet
Weight	<200g
Protection Class	IP20
Operating Altitude	<2000m

3 - Connection Diagram





CE



RGT-MT18 SVC

The First And Only, Reactive Power Control Relay of The Turkey With Touch Screen And SVC

- ✓ Easy installation and operation with 5" touch (resistive) display
- ✓ TCR (SVC) connection available
- ✓ Up to 10 inductive load drivers can be connected
- ✓ Generator input and generator compensation
- ✓ Remote communication with RS485
- ✓ Temperature measurement and control
- ✓ Can compensate inductive and capacitive system
- ✓ Step value can be entered manually
- ✓ Single-Phase, two-phase and three-phase capacitor and shunt reactor can be connected
- ✓ Voltage, harmonic current/voltage, inductive, capacitive alarm output
- ✓ Temperature alarm output
- ✓ Intervention, discharge and settlement times are adjustable
- ✓ Real time date and hour
- ✓ Current harmonics up to 61st harmonic can be monitored
- ✓ Voltage harmonics up to 61st harmonic can be monitored
- ✓ Graphical monitoring of cosine values of each phase
- ✓ Power factor values of each phase can be tracked graphically
- ✓ Capacitive/Active and Inductive/Active ratios can be tracked graphically
- ✓ Total energies (import/export) can be tracked
- ✓ THD-V and THD-I values of each phase can be monitored
- ✓ Creative power analysis (20 samples 9999min.)
- ✓ Demand recording (active power, reactive power, apparent power and current demand)
- ✓ Min, max and average values of current and voltage for each phase can be monitored
- ✓ Password protection



Power Control Relay



Digital Voltmeter



Energy Analyzer



Multimeter



Digital Timer ON/OFF Delays



Delay-ON Time Relay



Ethernet Gateway



Submersible Pump Control



Start-Stop Relay



Digital Temperature Control



Digital Voltage Control



Voltage Overload Relay

SINGAPORE

Schlegel Elektrokontakt Co (FE) Pte Ltd

3015A Ubi Road 1 #06-13/14, Singapore 408705

☎ +65 6841 8691 📠 +65 6841 8693

✉ sales@schlegel.com.sg

🌐 www.schlegel.com.sg

MALAYSIA

Schlegel Elektrokontakt (M) Sdn Bhd

✉ sales@schlegel.com.my

🌐 www.schlegel.com.my

THAILAND

Schlegel Elektrokontakt (Thailand) Co., Ltd

✉ setcod@ksc.th.com

INDONESIA

Partner: CV. Lestari Electric

Gedung Lindeteves Trade Center (LTC)

Jl. Hayam Wuruk 127 Lt. UG Blok C.28 no.8-9

Jakarta Barat, DKI Jakarta 11180

☎ 021 2268 2498 / 021 2268 5926

📠 0821 2000 3793

✉ lestari.ltcglodok@gmail.com

VIETNAM

MYANMAR

CAMBODIA

PHILIPPINES

